

ITD-8200 Independent Transfer Drive Unit



The ITD-8200 is a free standing, floor mounted ware transfer drive unit. Its design incorporates mechanical linear and height adjustment of the ware transfer, giving the ability to position the transfer unit correctly during a production run. Suitable for installation on any IS production line, the ITD-8200 can be prepared for any type of drive motor. It can also be supplied with any Sheppee transfer unit, a servo motor and controls as a stand-alone transfer drive package.

Features and Benefits

- Free standing unit – no conveyor mounting required
- Mechanical linear and height adjustments for accurate transfer positioning
- Height adjustable levelling feet
- For use on all I.S. production lines
- Suitable for all Sheppee ware transfer units
- Compact and easy to install
- Reduced set up time
- Flexible transfer positioning
- Reduced costs in maintenance and operation
- Improved production efficiencies through improved transfer performance
- Suitable for customer's synchronous or servo motor
- Can be used in conjunction with Sheppee ware handling system

ITD-8200 Independent Transfer Drive Unit

Technical Specifications

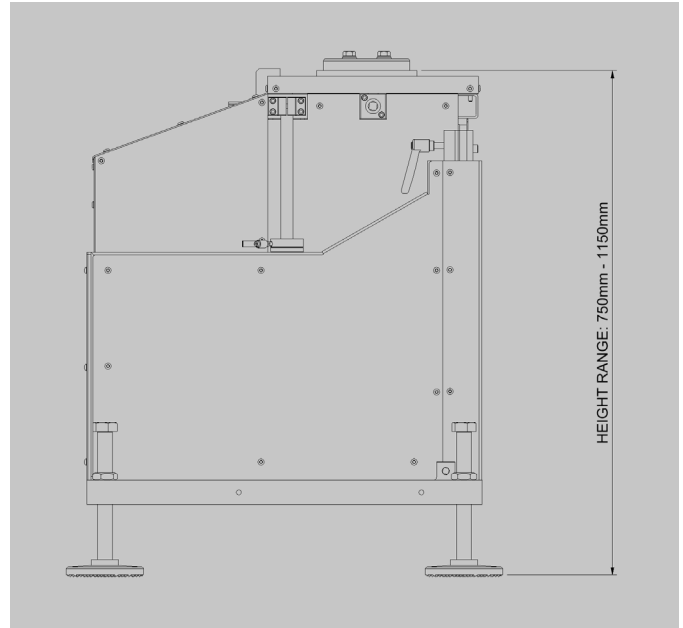
Motor Specification: Synchronous or servo motor - 0.75KW min

Overall Dimensions:

Width: 1,000mm
Depth: 650mm
Height: 950mm

Transfer Adjustment Range:

Side to Side: 150mm
In and Out: 100mm
Up and Down: 400mm



Telephone Assistance

Telephone assistance is available for all Sheppee International customers, according to the times given below:

Standard office hours telephone assistance Monday to Thursday 08.30 - 13.00 (GMT)

Friday 08.30 - 13.00 (GMT)

Contact: +44 1904 608999

Out of office hours telephone assistance

Monday to Thursday 17:15 - 08.30 (GMT)

Friday 13:00 - 23:59 (GMT)

Saturday, Sunday and Public holidays - 24 hour

Contact +44 844 826 5421

+44 117 987 5421

Contact: support@sheppee.com

